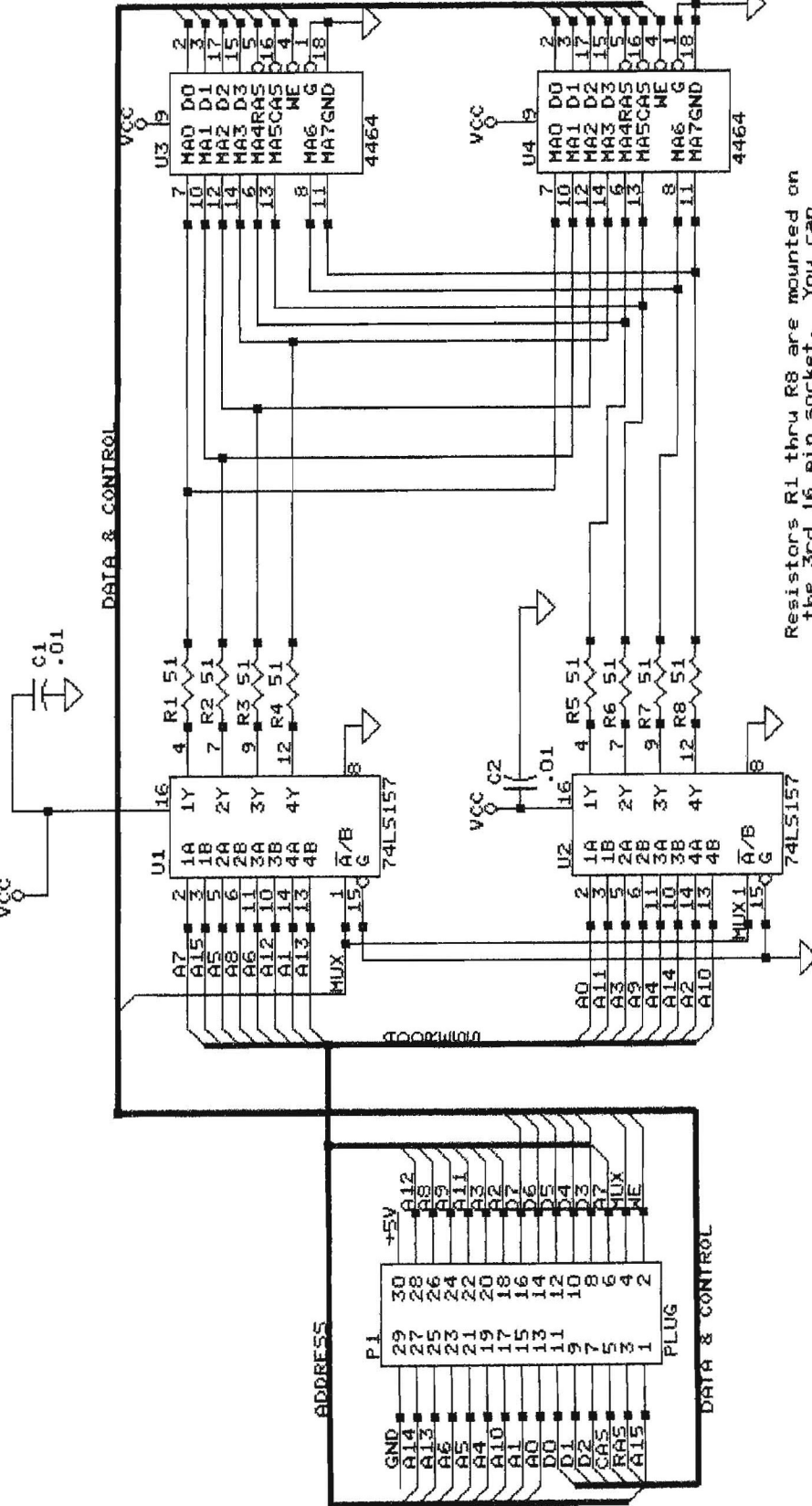


This schematic is released to the PUBLIC DOMAIN for the use of private individuals only. It may not be assembled for commercial use or sale. Violators will be prosecuted. This file may be distributed by users groups as long as the cost does not exceed the cost of the media use to distribute it on. It may be uploaded to any BBS that you may be on. It must be unchanged and contain the following files. #1 MX64.PRN, #2 RAMTEST.COM and RAM.DOC. If you receive this information with out all files intact, contact CL DIGITAL as we would like to prosecute those who would RIP OFF the ADAM community. Big John Lingrel and Ron Collins



CL DIGITAL MX-64 Coleco (tm) ADAM Memory Expander
 Copyright (c) 1986, 1987, 1988 all rights reserved
 This board can be built using 4464-15 or 4464-12 memory chips
 The 30 pin plug can be obtained in the form of scrap IBM or compatible boards from almost any computer repair shop. Cut off a piece that has 15 pins to a side and epoxy it a piece of per board about 3.5" by 2". Obtain 3 16 pin wire wrap sockets and 2 18 pin wire wrap sockets and arrange them so that you will be comfortable working with them. Use 30 gauge wire to make all connections. When finished, have a friend check your work. Now, refer to the original Orphanware documentation to install the board in the computer. Use RAMTEST.COM to check your board for proper function. ENJOY

Resistors R1 thru R8 are mounted on the 3rd 16 pin socket. You can a component carrier or press them into the socket itself. Capacitors C1 and C2 are optional.

CLDIGITAL
5665 Myers Road
Akron, OH 44319
Title
CL DIGITAL MX 64
Size Document Number
A 010889-01
REV
A
Date: January 18, 1989
Sheet 1 of 1